

Replacing the Drum Unit

The FAX/MFC uses drum unit to create print images on paper. If LCD shows CHANGE DRUM SOON, the drum unit is near end of its life. Purchase a new Image Maker drum unit to replace the current one.

Even the LCD shows CHANGE DRUM SOON, you may be able to continue to print without replacing the drum unit for awhile. However if there is a noticeable deterioration in the output printing quality even before CHANGE DRUM SOON is shown, then the drum unit should be replaced. You should clean the FAX/MFC when you replace the drum unit.

CAUTION

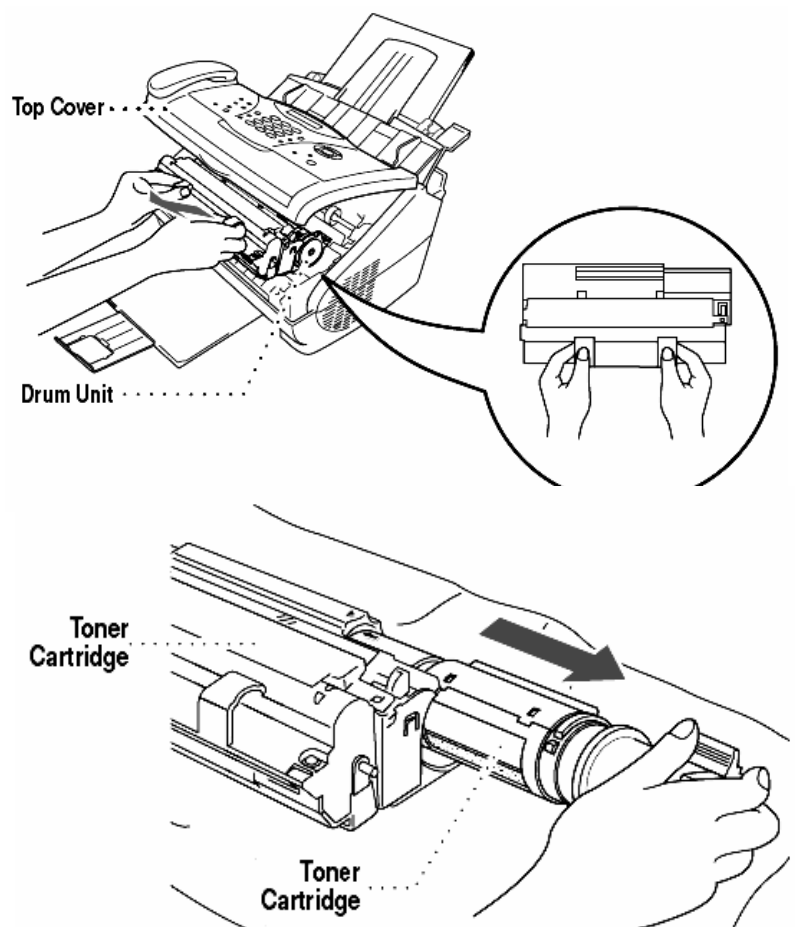
- When removing the drum unit, handle it carefully because it contains toner. When you replace the drum unit, you should clean the FAX/MFC.
- The drum unit is a consumable item, and it is necessary to replace it periodically. There are many factors that determine the actual drum life, such as temperature, humidity, type of paper and toner that you use and the number of pages per print job, etc. the drum life is estimated at approximately 20,000 pages at continuous printing and 8,000 pages at 1 page per job. The actual number of pages your drum will print may be significantly less than these estimates. Because we have no control over the many factors that determine the actual drum life, we cannot guarantee a minimum number of pages that will be printed by your drum.

WARNING

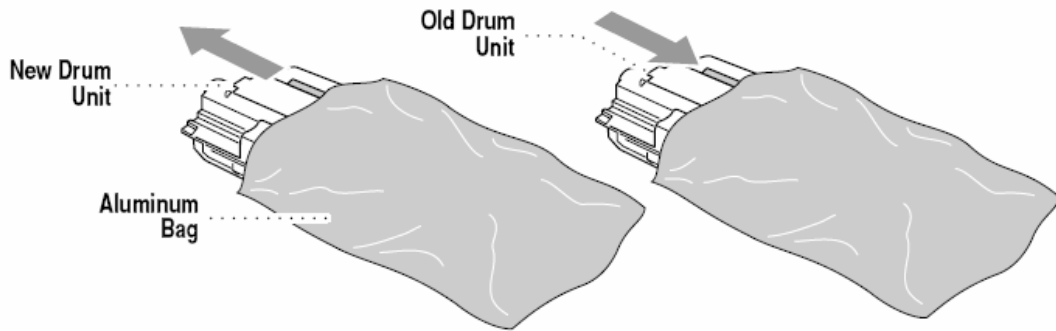
Just after you have used the FAX/MFC, some internal parts of the machine are extremely HOT! So please be careful.

Follow these steps to replace the drum unit:

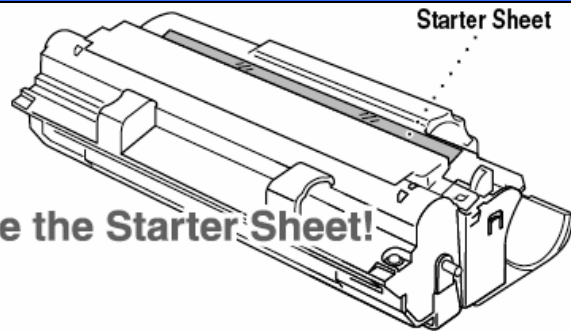
1. Make sure you close the document tray and the extension.
2. Open the top cover.
3. Remove the used drum unit on a drop cloth or large piece of disposable paper to avoid spilling and scattering the toner.
4. Remove the toner cartridge from the drum unit and keep it in a safe place.



5. Place the used drum unit into the aluminum bag.

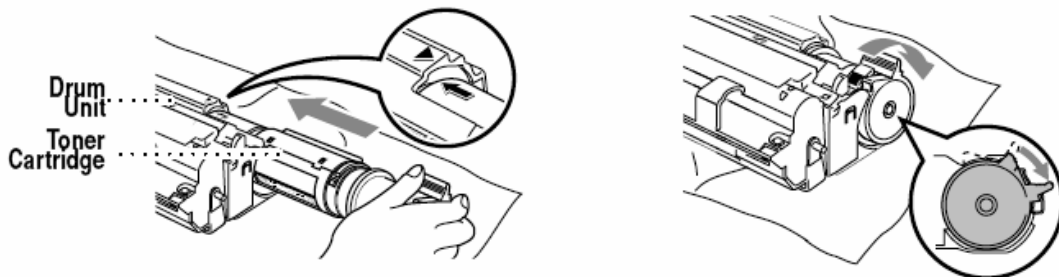


CAUTION

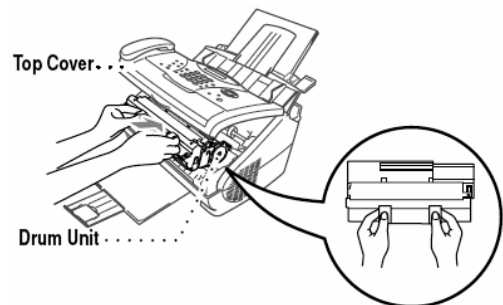


1. Wait to unpack the drum unit until immediately before installing it into the FAX/MFC. If an unpacked drum unit is subjected to excessive direct sunlight or room light the unit may be damaged.
2. Handle the toner cartridge and the drum unit carefully because they contain toner. If toner scatters and your hands or clothes get dirty, immediately wipe or wash with cold water.

6. Reinstall the toner cartridge into the new drum unit.



7. Holding the new drum unit by its handles, install it.
8. The FAX/MFC will eject the clear plastic starter sheet automatically.



CAUTION

- Do not touch the scanner windows with your finger.
- Handle the toner cartridge and drum unit carefully because they contain toner. If toner scatters and your hands or clothes get dirty, immediately wipe or wash it off with cold water.

