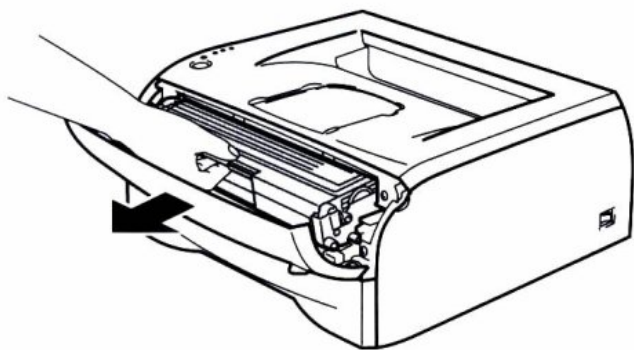


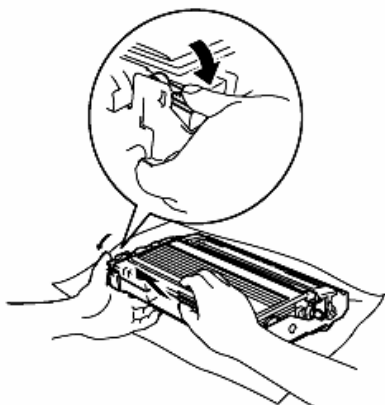
WARNING

Just after you have used the machine, some internal parts of the machine are extremely HOT! So please be careful.

1. Pull out the drum unit and toner cartridge assembly.



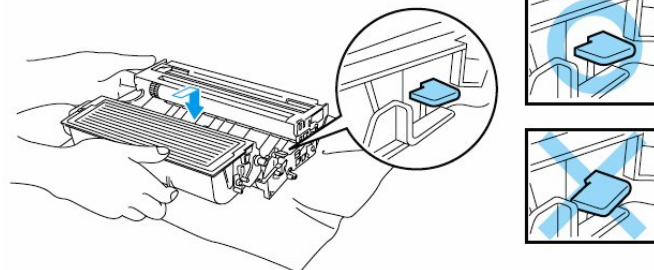
2. Push down the blue lock lever and take the toner cartridge out of the drum unit.



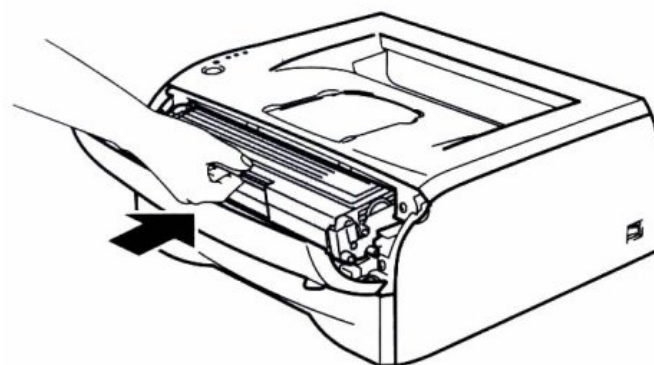
CAUTION

Wait to the unpack drum unit until immediately before installing it. Place the old drum unit into the plastic bag.

3. Unpack the new drum unit.



4. Unpack the new drum unit. Put the toner cartridge firmly into the new drum unit until you hear it lock into place. If you put the cartridge in properly, the blue lock lever will lift automatically.



CAUTION

If toner scatters and your hands or clothes get dirty, immediately wipe off or wash with cold water.