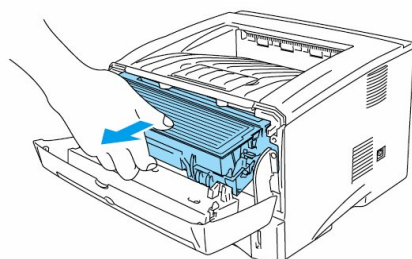


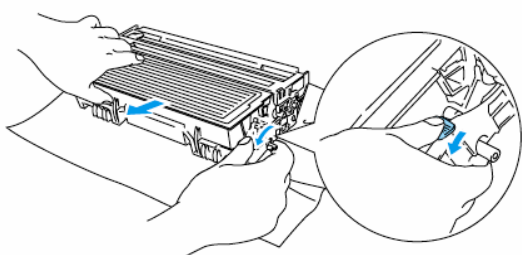
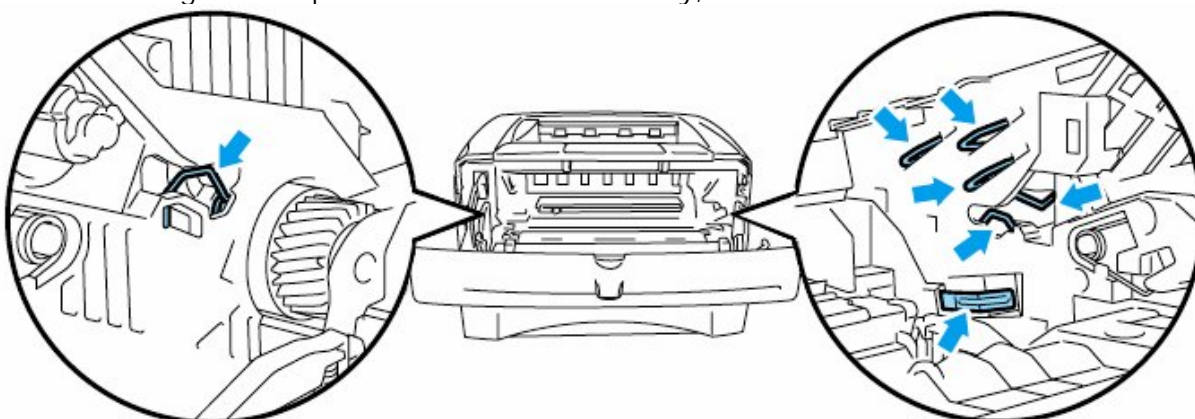
1. Press the cover release button and then open the front cover of the printer.



2. Pull out the drum unit assembly. (drum unit with toner cartridge).

### CAUTION

- We recommend that you place the drum unit assembly on a piece of disposable paper or cloth in case you accidentally spill or scatter toner.
- To prevent damage to the printer from static electricity, do not touch the electrodes shown bellow.



3. Push down the blue lock lever and take the toner cartridge out of the drum unit.

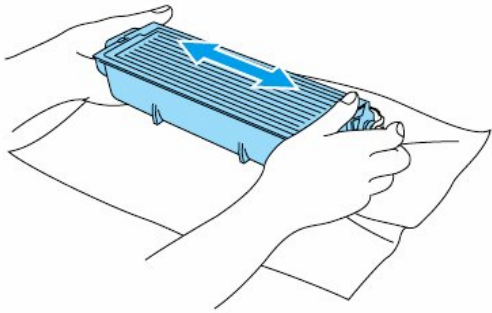
### CAUTION

Handle the toner cartridge carefully. If toner scatters on your hands or clothes, immediately wash it off with cold water.

### NOTE

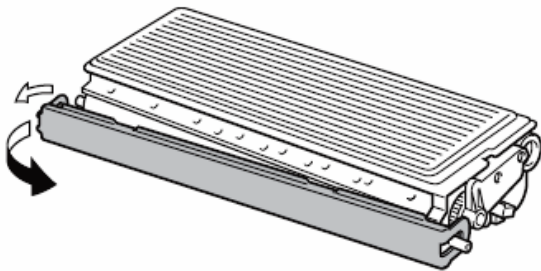
Be sure to seal up the drum unit tightly in a bag so that toner powder does not spill out of the unit.

4. Unpack the new toner cartridge. Hold the cartridge level with both hands and gently rock it from side to side five or six times to spread the toner evenly inside the cartridge.



**CAUTION**

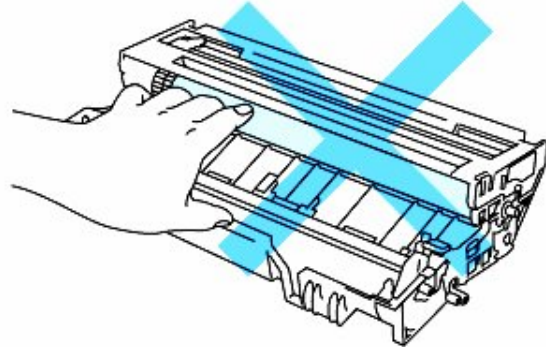
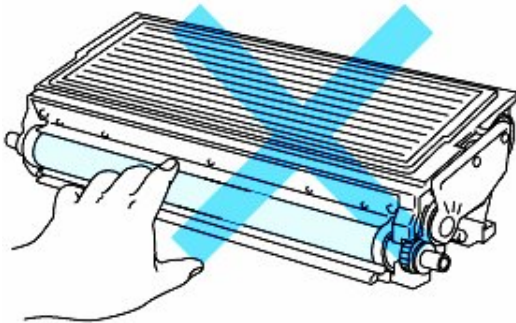
- Wait to unpack the toner cartridge until immediately before you put it in the printer. If toner cartridges are left unpacked for a long time the toner life will be shortened.
- Wait to unpack a drum unit until immediately before you put it in the printer. Exposure to direct sunlight or room light may damage the drum unit.



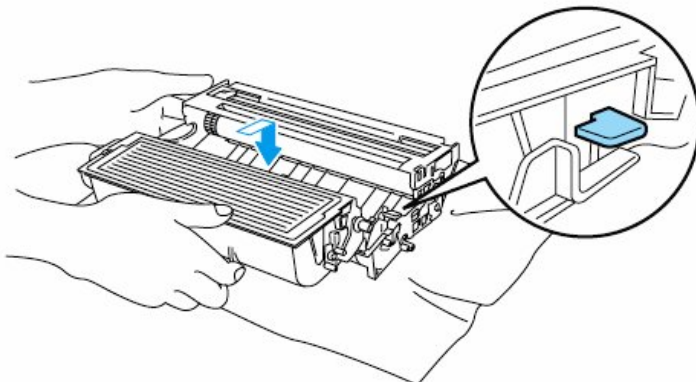
5. Pull off the protective cover.

**CAUTION**

Put the toner cartridge in the drum unit immediately after you have removed the protective cover. Do not touch the shaded parts shown in below to prevent any degradation to the print quality.



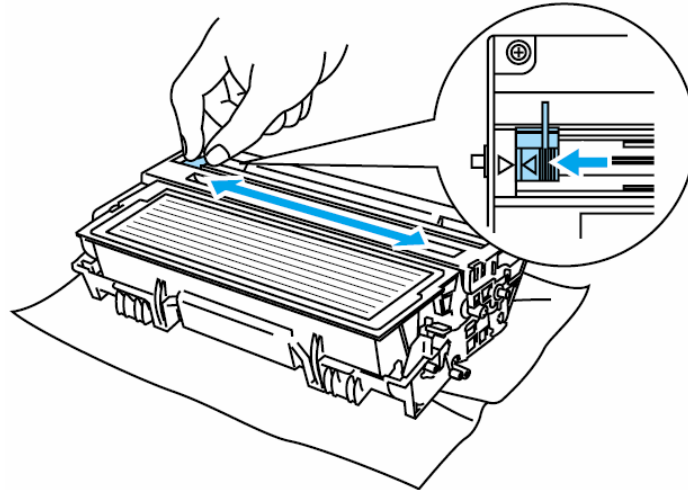
6. Put the new toner cartridge firmly into the drum unit your hear it lock into place. If you put it in properly, the lock lever will lift automatically.



**CAUTION**

Make sure you insert the toner cartridge properly or it may separate from the drum unit.

7. Clean the primary corona wire inside the drum unit by gently sliding the blue tab from right to left and left to right several times. Return the tab to the home position (▲) before you put the drum unit back in the printer. If you do not, printed pages may have a vertical stripe.



8. Put the drum unit assembly back in the printer. Close the front cover of the printer.

