

Replacing the drum unit

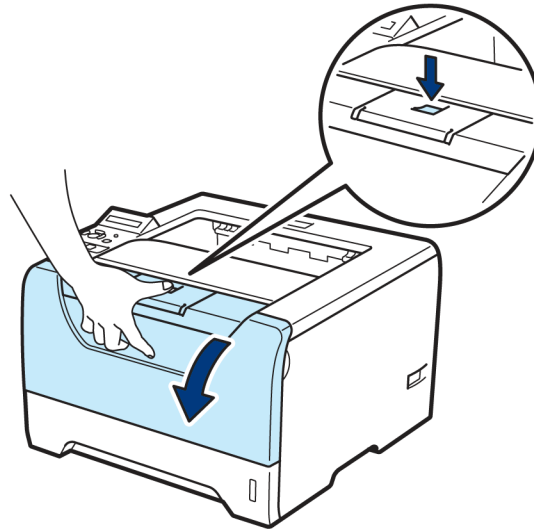
! IMPORTANT

While removing the drum unit, handle it carefully because it may contain toner.

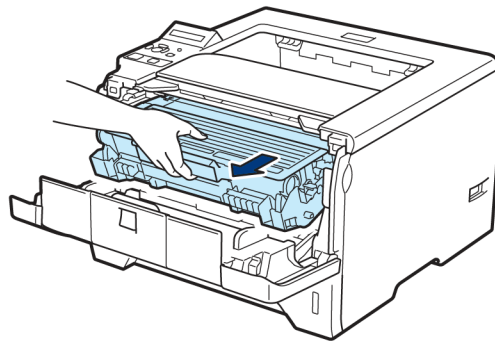
Every time you replace the drum unit, clean the inside of the printer. See *Cleaning* on page 118.

When you replace the drum unit with a new one, you need to reset the drum counter by completing the following steps:

- 1 Press the front cover release button and then open the front cover.



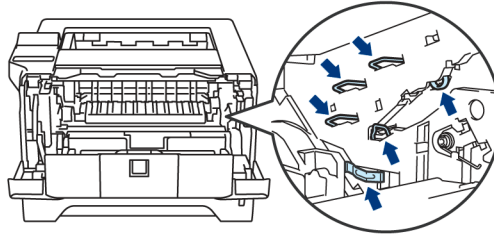
- 2 Take out the drum unit and toner cartridge assembly.



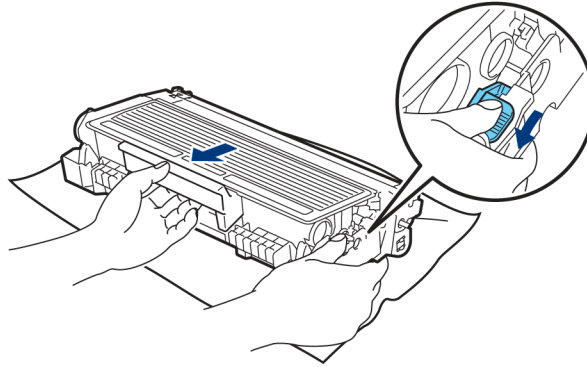
! IMPORTANT

We recommend that you put the drum unit and toner cartridge assembly on a piece of disposable paper or cloth in case you accidentally spill or scatter toner.

To prevent damage to the printer caused by static electricity, **DO NOT** touch the electrodes shown in the illustration.



- 3 Push down the blue lock lever and take the toner cartridge out of the drum unit.



! WARNING

DO NOT put a toner cartridge into a fire. It could explode, resulting in injuries.

Use neutral detergents when cleaning the printer.

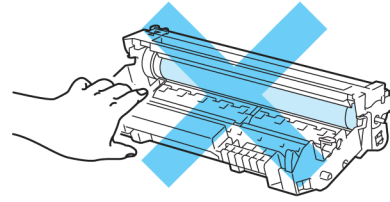
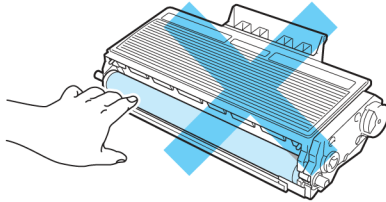
DO NOT use cleaning materials that contain ammonia, alcohol, any type of spray, or any type of flammable substance to clean the outside or inside of the machine. Doing this may cause a fire or electrical shock.

Be careful not to inhale toner.

! IMPORTANT

Handle the toner cartridges carefully. If toner scatters on your hands or clothes, wipe or wash it off with cold water at once.

To avoid print quality problems, DO NOT touch the shaded parts shown in the illustrations.

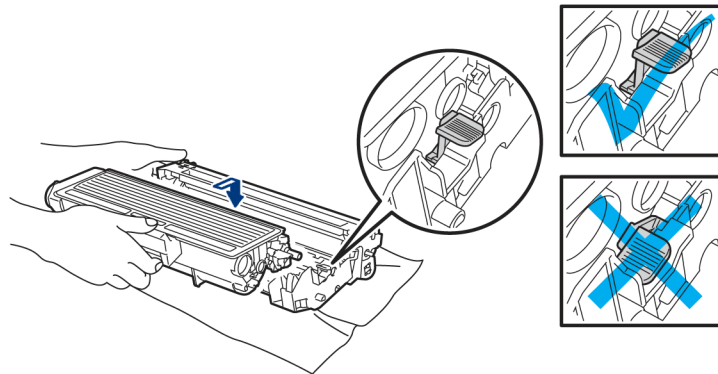


- 4 Unpack the new drum unit.

! IMPORTANT

Wait to unpack a drum unit until immediately before you put it in the printer. Exposure to direct sunlight or room light may damage the drum unit.

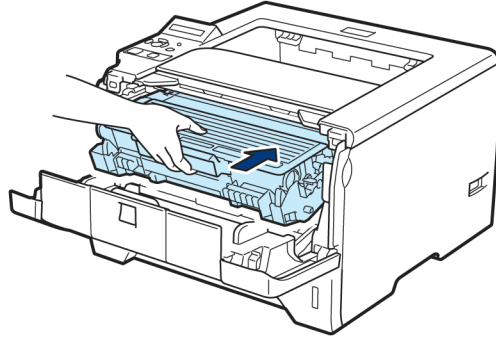
- 5 Put the toner cartridge firmly into the new drum unit until you hear it lock into place. If you put the cartridge in properly, the blue lock lever will lift automatically.



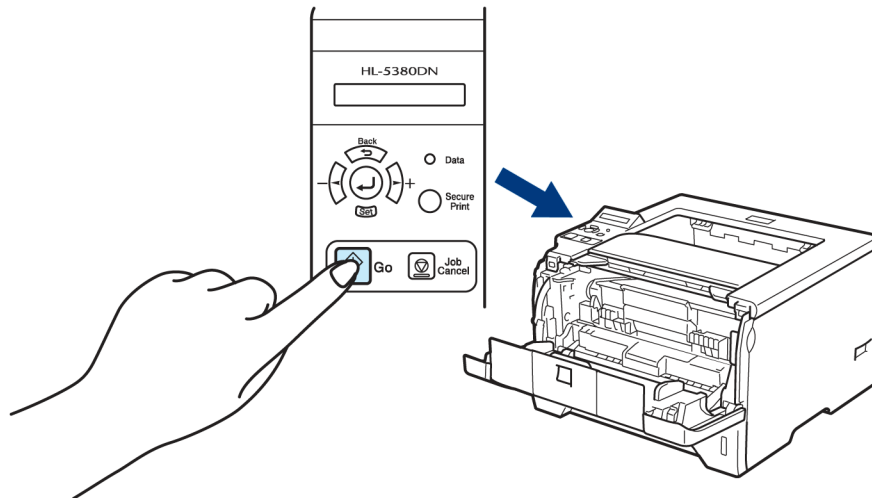
Note

Make sure that you put in the toner cartridge properly, or it may separate from the drum unit.

- 6 Put the drum unit and toner cartridge assembly back in the printer.



- 7 Hold down **Go** until the message DRUM CLEAR is displayed on the LCD, then release **Go**.



! IMPORTANT

Do not reset the drum counter when you only replace the toner cartridge.

- 8 Close the front cover.